

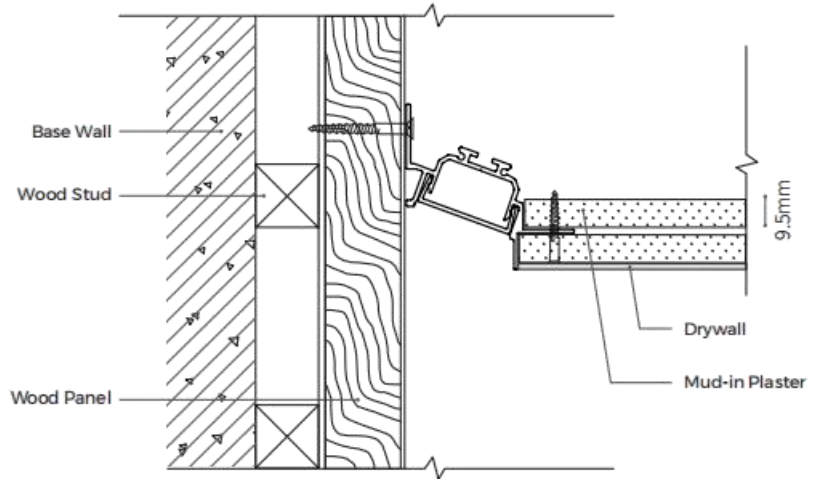
# Specification

Architecture lighting integration series

LR3943

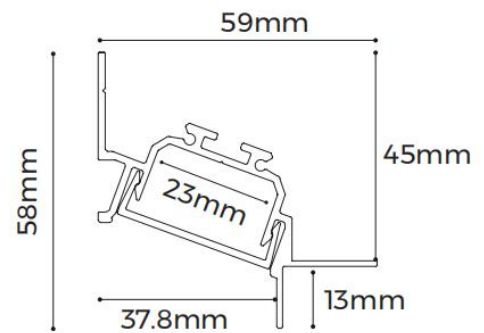


# LR3943



## Features



- Rimless recessed design, integrated into architecture.
- AL6063-T5 aluminum profile with high-quality surface treatment.
- Close-fitting end cap design without screw, make installation more convenient.



## Standard Configuration

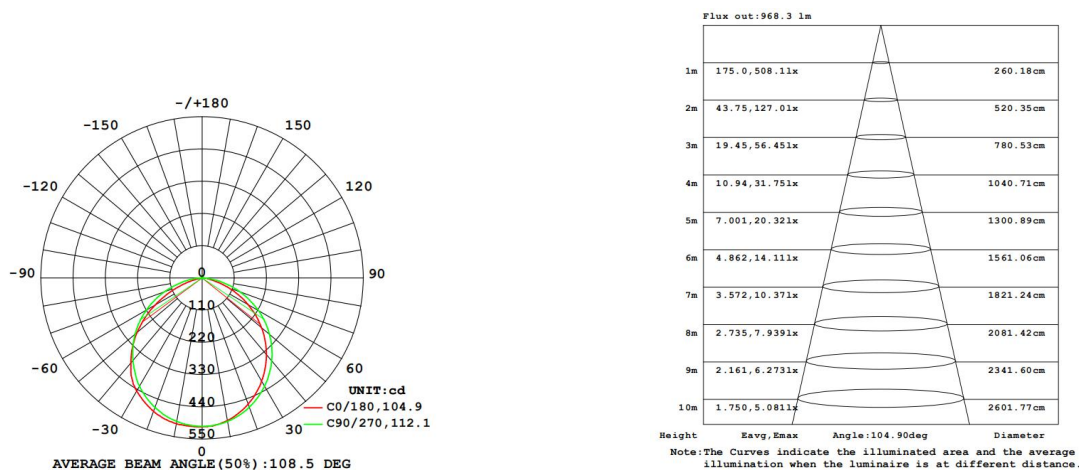
Picture	Item	Parameter
	Profile	Profile weight : 1.78kg/2.5m Size : L2500*W59*H58mm Material : AL6063-T5 Surface processing : Spraying RAL9003
	Cover	Type: Frosted diffuse Material: PC Light transmittance : 80% Size : L2500*W34.2*H10.2mm (shrink) 0.8mm/m when the temperature rises (drops) 10°C.
	End caps	Size : L46.1*W26.4*H1.5mm Material : AL6063-T5

## Optional Accessories

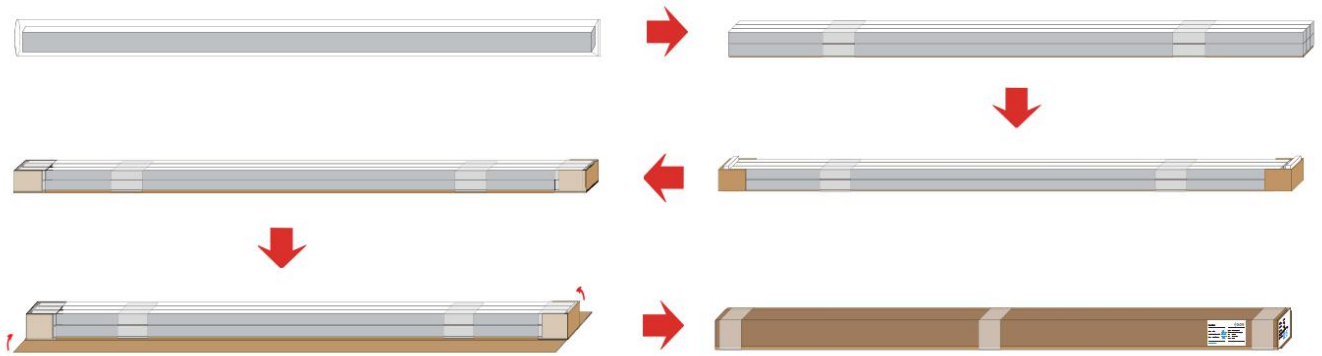
Picture	Item	Parameter
	Flexible strip D8280-24V-20mm	Material : FPC , CCT : 2700/3000/4000/5000K/6000K ; Ra > 80/95; Voltage:24V ; Power : 20W/m ; Lumen : 2700Lm/m ; PCB width : 50mm ; Minimum cut : 50mm ;
	Screw	Size : M3.5*40mm Material : Carbon steel

## Optical Parameter

(D8280-24V-20mm light source, frosted diffuser)



## Package



Item	Type	Size(mm)	NW(kg)	GW(kg)	Content
Profile and cover	Packing box	2600*210*150mm	22.9	25.1	12pcs/box

