

Specification

DS8160-24V-10mm



▼General description

- Bridgelux led integrated, High efficiency up to 153lm/w@4000K , CRI80+
- Constant current design, Same brightness from one end to another
- SDCM≤3,one Bin delivery, With life span over 60000H, 5 years warranty
- Ta: -25~40°C; Tc: 75°C (max)



▼Dimension

※Max.length: 5000mm

Cutting unit: 8leds/50mm

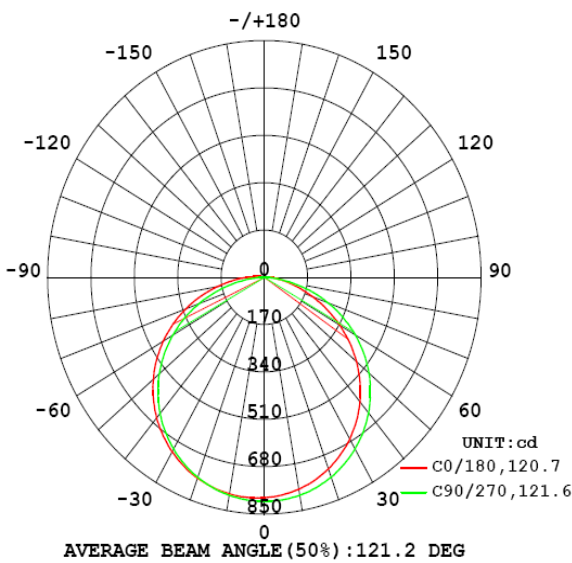
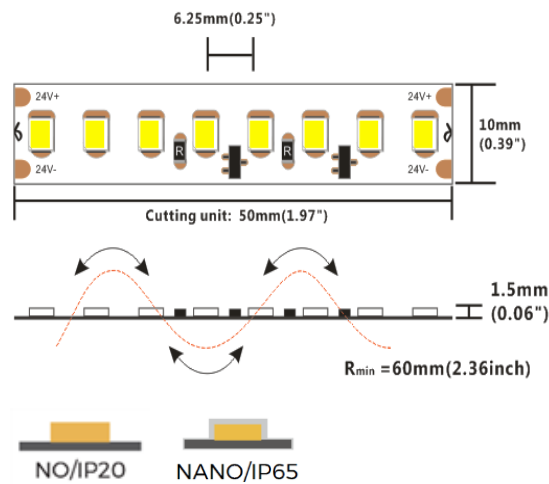
LED pitch: 6.25mm

Min. bend diameter: Φ60mm

Mounting: 3M tape

IP: IP20/IP65

※Warranty: 5years



Photometric of 1M strip

Height	Eavg, Emax	Angle: 120.72deg	Diameter
1m	191.5, 803.61x		351.49cm
2m	47.88, 200.91x		702.97cm
3m	21.28, 89.291x		1054.46cm
4m	11.97, 50.221x		1405.95cm
5m	7.660, 32.141x		1757.43cm
6m	5.320, 22.321x		2108.92cm
7m	3.908, 16.401x		2460.41cm
8m	2.992, 12.561x		2811.89cm
9m	2.364, 9.9211x		3163.38cm
10m	1.915, 8.0361x		3514.87cm

AAI Figure

※Max.length data is based on 10% voltage drop

※Warranty is based on indoor use

▼ Electronic & output data

Input voltage: DC24V

Rated current: 0.683A(1m) /3.3A(5m)

Typical Powe: 16.4W(1m) /79.2W(5m)

CRI: >80/90

Max.power: 18W/m

On-off times: 10000 (test times)

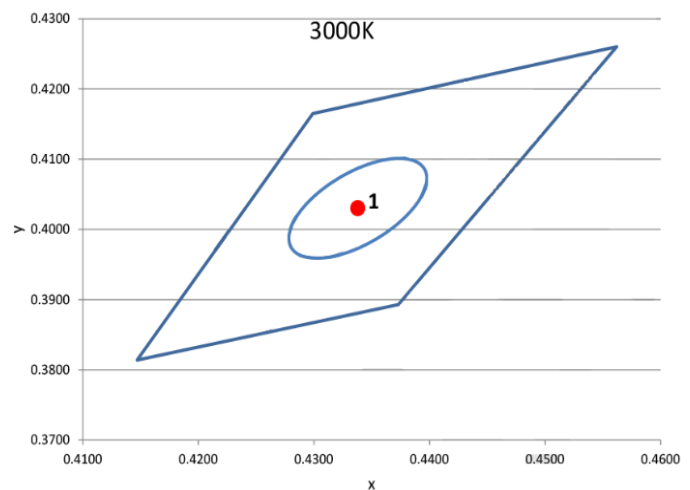
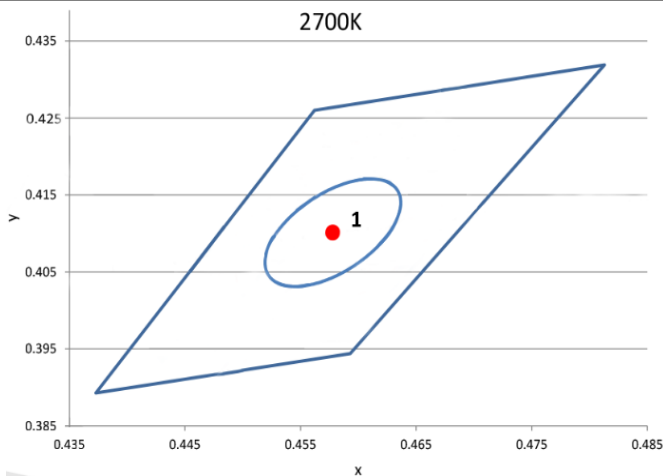
Power range: 14.9 ~ 18W

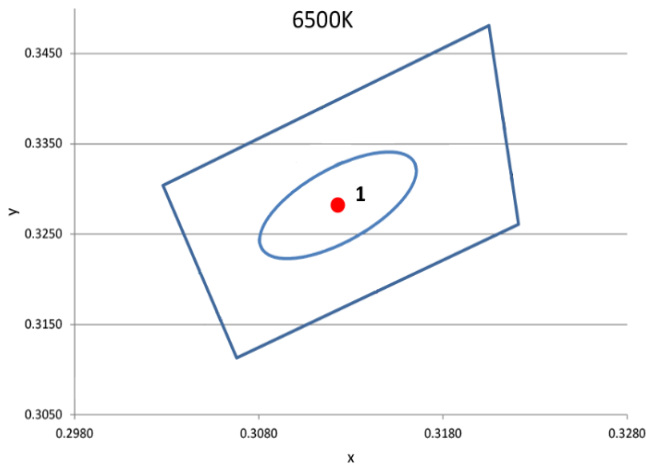
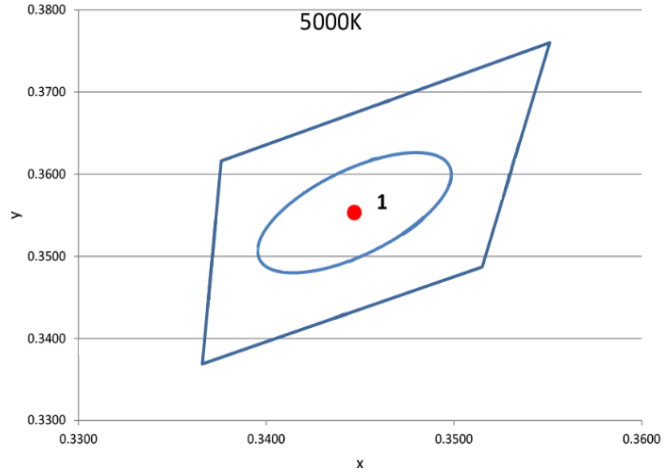
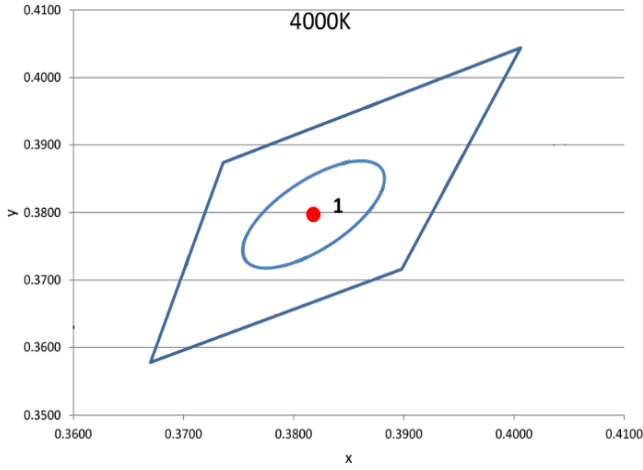
Copper foil: 3oz

CRI	Color	CCT	Lumen(lm)	lm/W	Energy efficiency class
Ra>80	SW	2700K	2280	139	A++
Ra>80	WW	3000K	2400	146	A++
Ra>80	NW	4000K	2500	153	A++
Ra>80	DW	5000K	2500	153	A++
Ra>80	W	6500K	2400	146	A++
Ra>90	SW	2700K	1800	109	A+
Ra>90	WW	3000K	1890	115	A+
Ra>90	NW	4000K	1970	120	A+
Ra>90	DW	5000K	1970	120	A+
Ra>90	W	6500K	1890	115	A+

- 1.The tolerance of output data can be vary up to 15%
- 2.the output data tested according to IES TM-30-15
- 3.the output data is based on IP20/1merter, data of 5m in only for reference
- 4.IP protection process leads changes to size, CCT and luminous flux

▼ BIN








▼ IP Process

IP Process	Picture	description	Size	optional CCT/color for finished product	lumen output rate
NO	 NO/IP20	No proof	10mm*1.5mm	2700K/3000K/4000K/5000K/6500K	100%
NA	 NANO/IP65	Nano-proof	10mm*1.6mm	2700K/3000K/4000K/5000K/6500K	98%

▼ Accessories Information

Name	Picture	Code	description
Connector for wire and FPC		94-03-00-0037	10mm width, 2PIN connector of wire and FPC, suitable for white color strip, NO/NA, 2PIN wire 18- 22AWG
Connector for FPC and FPC		94-42-621020004	10mm width, 2PIN connector of FPC and FPC, suitable for white color strip, NO/NA

Slim connector		94-03-00-0064	TSC-10-2, suitable for 10mm fpc to fpc connection , IP20, 2pin, 10pcs per bag
FPC with wire		94-03-00-0067	wire connection when using together with TSC-10-2,IP20,2PIN, 10PCS per bag
Fixed Clip		94-02-00-0018	Fixed clip, transparent, 3*8mm self-tapping screws, suitable for 10mm FPC, NO/NA LED strip

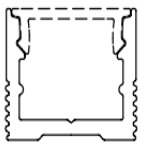
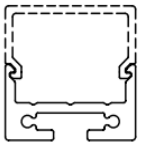
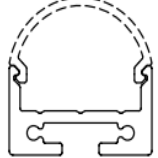
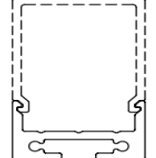
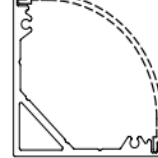
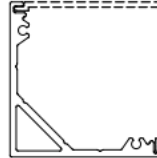
▼Order Code Formats

1: Category	2: LED	3: LED/m	4: Voltage	5:FPC Width	6: IP Process	7: CRI	8: CCT
DS -	8 2835	160 160 LED	24 24V	10 10mm	NO NO NA NANO	8 > 80 9 > 90	SW 2700K WW 3000K NW 4000K DW 5000K W 6500K
DS -	8	160	24	10	NO	8	SW

9: Silk Printing	10: Entry cable	11: Wire type	12: Wire length	13: Tape type	14: Label Type	15: Strip Length
N Neutral	S Single	A red and black cable	012 12cm	W White 3M	C COLORS	0500 5m
C COLORS	D Doubel	B SM-male wire	020 20cm	Y Yellow 3M	S Customized	0050 0.5m
S Customized	X Nothing	C SM-female wire	050 50cm	X Nothing		0100 1m
		X Nothing	100 100cm			
			0 Nothing			
N	S	A	012	W	C	0500

DS81602410NO-8SWNSA012WC0500

▼Recommended profiles/optics

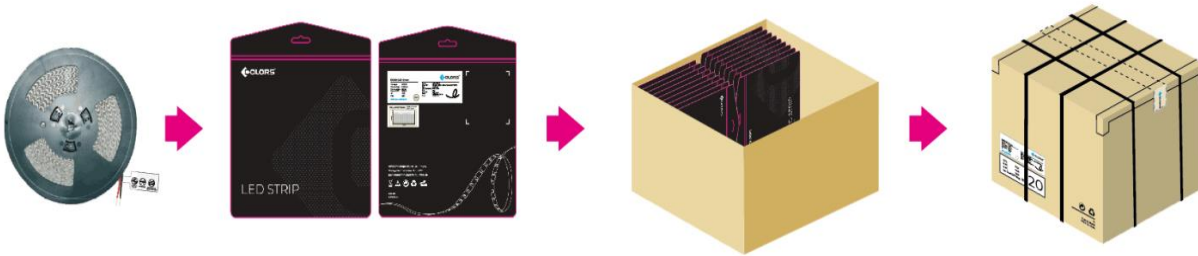
Model	LS1613(B)	LS1911K(B)	LS1911C(B)	LS1911P(B)	LG3030C(B)	LG3030K(B)
Size(mm)	16X13	19X11	19X11	19X11	30X30	30X30
Max.power (W/m)	28W	28W	28W	28W	28W	28W
Drawing						

Model	LE2507	LE2513	LT60	LT90	LT120	
Size(mm)	25X07	25X13	φ60	φ90	φ120	
Max.power (W/m)	28W	28W	30W	50W	60W	
Drawing						

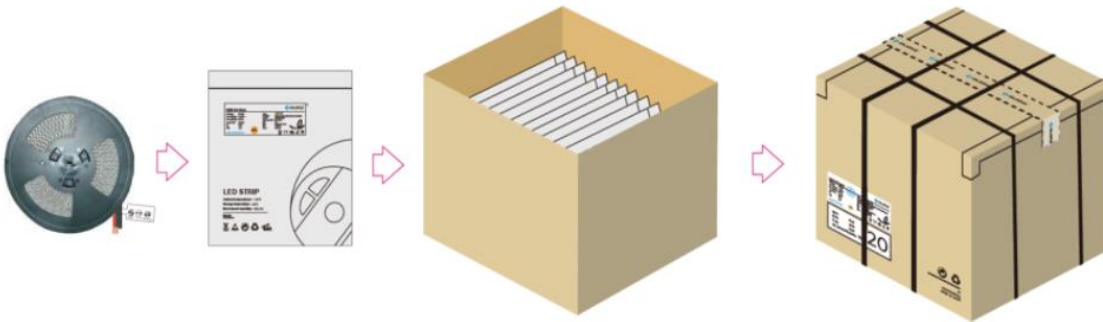
※ DS8160 can be used with heatsink or profiles, and the above profile are recommended.

▼ Packing

Colors brand package



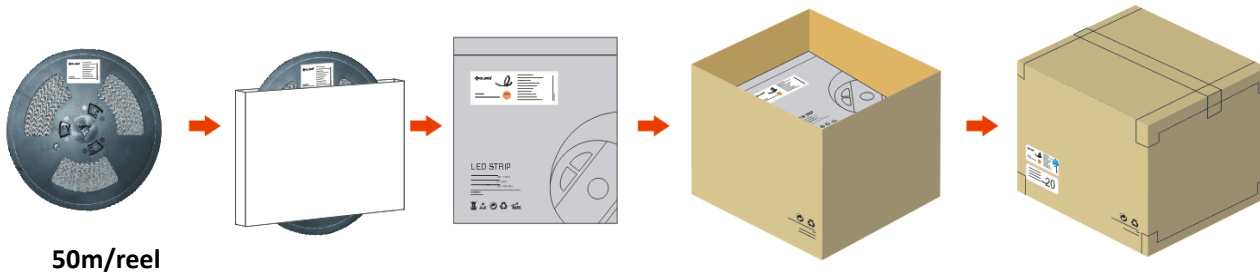
General customized package



IP Process	Product size(mm)	Product quantity (m/reel)	Product quantity (m/case)	Product net weight(kg)	Net weight per box (kg)	Gross weight (kg)	Package size (cm)
NO	5000*10*1.5	5	250	0.157	7.85	9.03	41*41*26
NA	5000*10*1.5	5	250	0.16	8	9.2	41*41*26

Remark: data with 10% tolerance

Engineering packaging of NO(IP20)/NA(IP65).



IP Process	Product size(mm)	Product quantity (m/reel)	Product quantity (m/case)	Product net weight(kg)	Net weight per box (kg)	Gross weight (kg)	Package size (cm)
NO	50000*10*1.5	50	500	1.57	15.7	18.05	41*41*26
NA	50000*10*1.5	50	500	1.6	16	18.4	41*41*26

Remark: data with 10% tolerance

▼Precautions

- ※ Please drive the led strip with 24VDC isolated power, and the ripple of the constant voltage source should be less than 5%.
- ※ Please do not bend the strip into an arc with a diameter less than 60mm to ensure the longevity and reliability.
- ※ Do not fold it in case any damage of LED beads.
- ※ Do not pull the power wire hard to ensure the longevity. Any Crash may damage the LED light is prohibited.
- ※ Please make sure the wire is connected to the anode and cathode correctly. The power output should be consistent with the voltage of the strip to avoid damage.
- ※ LED lights should be stored in dry, sealed environment. Please only unpack it before usage. Ambient temperature: -25°C~40°C.Storage temperature: 0°C~60°C.Please use the strips without waterproof within indoor environment with humidity less than 70%.
- ※ Please be careful during operation. Do not touch the AC power supply in case of electric shock.
- ※ Please leave at least 20% power for the power supply during using to ensure there is enough power supply to drive the product.
- ※ Do not use any acid or alkaline adhesives to fix the product (e.g.: glass cement).